

# User Manual

Door Camera DRC-4FC/4FB



[www.commax.com](http://www.commax.com)

COMMAX Co.,Ltd.



- Thank you for purchasing COMMAX products.
- Please carefully read this User's Guide (in particular, precautions for safety) before using a product and follow instructions to use a product exactly.
- The company is not responsible for any safety accidents caused by abnormal operation of the product.



## Contents

1. Introduction .....	2
2. Important Safeguard .....	3
3. Features.....	5
4. Wiring & Installation .....	7
5. PARTS.....	9
6. Specifications.....	10



## 1. Introduction

Your unit is designed so it can be flush mounted on the or used. When flush mounted on the wall, the stand permits you to the unit for an gular of unit view. The model number is located on the bottom and record the serial number in the space provided below(available). Refer to these numbers whenever you call upon your COMMAX dealer regarding this product.

Model No.

Serial No.

**To prevent fire or shock hazard, do not expose the unit to rain or moisture.**



This symbol is intended to alert the use to the presence of uninsulated **"dangerous Voltage"** within the product' s enclose that may be of sufficient magnitude to constitute a risk of electric shock to persons.



This symbol is intended to alert the use to the presence of important operating and maintenance(servicing) instructions in the literature accompanying the appliance



caution

Rosk of electric shock  
do not open



CAUTION: To reduce the risk of electrix shick, do not remove cover(or back) no user-serviceable part inside refer servicing to quared service personnel



## 2. Important Safeguard

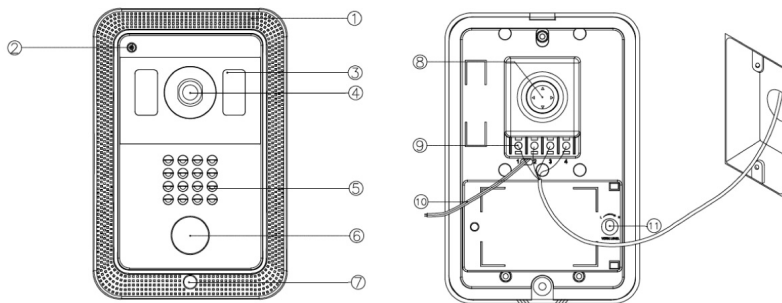
- ▲ **Damage Requiring Service:** This equipment from the power source and source and refer servicing to qualified service personnel under the following conditions:
  - Ⓐ when the power is damaged.
  - Ⓑ if liquid has been spilled or objects have fallen into the unit
  - Ⓒ if the equipment has been exposed to rain or water.
  - Ⓓ if the equipment has been dropped or otherwise damaged.
  - Ⓔ when the equipment exhibits a distinct change in performance- this indicates a need for service.
- ▲ **Water and Moisture:** Do not use this product near water, for example, near a bath tub, wash bowl, kitchen sink, or laundry tub, in a wet basement, or near a swimming pool, and the like.
- ▲ **Accessories:** The product may fall, causing serious injury to a child or adult, and serious damage to the appliance. Any mounting of the manufacturer's instructions, and should use a mounting accessory recommended by the manufacturer.
- ▲ **Object and Liquid Entry:** Never push objects of any kind into this product through openings as they may touch dangerous voltage points or short-out parts that could result in a fire or electric shock. Never spill liquid of any kind on the product.
- ▲ **Lightning:** For added protection for this product before a lightning storm, or when it is left unattached and unused for long periods of time, unplug it from the wall outlet and disconnect the other system. This will prevent damage to the product due to lightning and power-line surges. If you live in an area heavily prone to lightning storms, it is recommended that you invest in power-line, telephone-line, RF cable and actuator/ polarization surge protectors to protect your appliance system from possible damage



## 2. Important Safeguard

- ▲ **Servicing** - Do not attempt to service this product yourself as opening or removing covers may expose you to dangerous voltage or other hazards. Refer all servicing to qualified service personnel.
- ▲ **Replacement Parts** - When replacement parts are required, be sure the service technician has used replacement parts specified by the manufacturer or having the same characteristics as the original part. Unauthorized substitutions may result in fire, electric shock or other hazards.
- ▲ **Safety Check** - Upon completion of service or repairs to this product, ask the service technician to perform safety checks to determine that the product is in proper operating condition.
- ▲ **Power Line** - The camera door system should not be located near overhead power lines or other electric light or power circuits, or where it can fall into power lines or circuits. When installing a door camera system, avoid dangerous contact with power lines or circuits.
- ▲ **Attachment** - Do not use attachments not recommended by the product manufacturer as they may cause hazards.
- ▲ **Safety Check** - Upon completion of service or repairs to this product, ask the service technician to perform safety checks to determine that the product is in proper operating condition.
- ▲ **Power Sources** - This equipment should be operated only from the type of power source indicated on the marking label.
- ▲ **Grounding** - This product is equipped with a polarized alternating - current line plug. This plug will fit into the power outlet only one way. This is a safety feature. If the plug should fail to fit, contact your electrician to replace your obsolete outlet.
- ▲ **Power Cord Protection** - Power- supply cords should be routed so that they are not likely to be walked on or pinched by items placed upon or against them; pay particular attention to cords at plugs, convenience receptacles and the point where cords exit from the equipment.
- ▲ **Overloading** - Do not overload power outlets and extension cords as this can result in a risk of fire or electric shock.

### 3. FEATURES

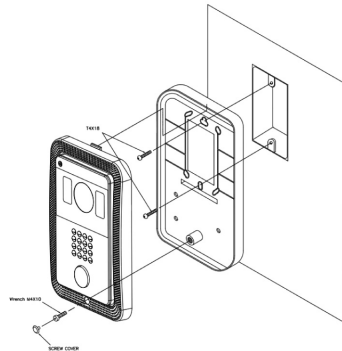


No.	FEATURES	No	FEATURES
1	FRONT PANEL	8	LEVER FOR ANGLE ADJUSTMENT
2	MICRO PHONE	9	TERMINAL
3	LED	10	DOOR RELEASE CABLE
4	LENSE WINDOW	11	VOLUME ADJUSTMENT
5	SPEAKER	12	
6	CALL BUTTON	13	
7	SCREW HOLE	14	

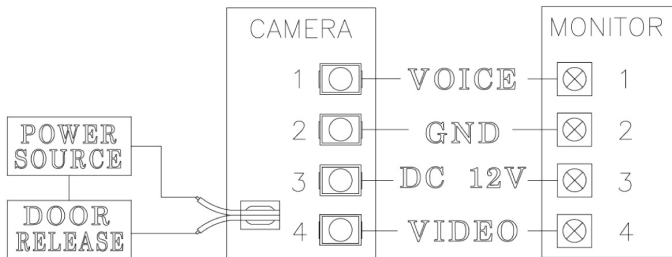


## 4. Wiring & Installation

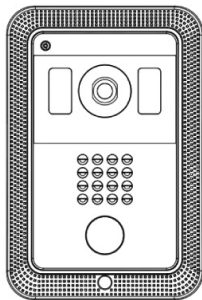
- 1 Secure it to the wall hole and wall mounted hole to install. [FIG-1]
- 2 Wire the household monitor cables with matched polarity as shown below. [FIG-2] (#1:Voice, #2:GND, #3:DC12V, #4:Video)
- 3 In the wall-hanging, check the screen of monitor inserted from the groove and check if the screen is working well as you want.
- 4 Wire the switch cables as shown below. [FIG-2]
- 5 Fix it at the bottom of the product with screw.[FIG-1]



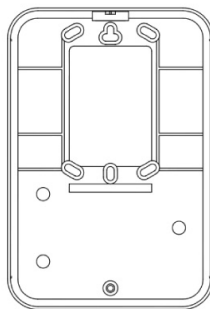




 **5. PARTS**



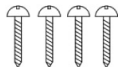
CAMERA



WALL BRACKET



MANUAL



Mounting Screw



Camera Fixing Screw



Upper

Mounting Screw



Lower



Screw cover



Wrench Hexagon



## 6. Specifications

MODEL NO.	DRC-4FC				
Raged Viltage	12V $\equiv$ (From Monitor)				
Wiring	4 Wire In Polarity				
(House/Door Release)	2 Wire In Non-polarity				
Pickup Device	CMOS IMAGE SENSOR				
Conversation Method	Synchronous				
TV System	NTSC or PAL				
Min. Illumination	0.1 LUX (300mm From Camera)				
Illumination	White LED(3pie) 2EA				
Image Adjustment	Horizontal 75°, Vertical 55°				
ANGLE ADJUSTMENT	Up Down Left Right 12°				
Operating Temperature	-10°C(tested up to -40°C) ~ +50°C				
Dimension (mm)	119.4(W) x 178(H) x 20.1(D)				
Distance(TIV Cable)	Diameter (pie)	0.5	0.65	0.8	1
	Distance(Miter)	28	50	70	115

<b>MODEL NO.</b>	<b>DRC-4FB</b>				
Raged Viltage	12V $\equiv$ (From Monitor)				
Wiring	4 Wire In Polarity				
(House/Door Release)	2 Wire In Non-polarity				
Pickup Device	CMOS IMAGE SENSOR				
Conversation Method	Synchronous				
TV System	EIA or CCIR				
Min. Illumination	0.1 LUX (300mm From Camera)				
Illumination	INFRARED LED(5pie) 3EA				
Image Adjustment	Horizontal 75°, Vertical 55°				
ANGLE ADJUSTMENT	Up Down Left Right 12°				
Operating Temperature	-10°C(tested up to -40°C) ~ +50°C				
Dimension (mm)	119.4(W) x 178(H) x 20.1(D)				
Distance(TIV Cable)	Diameter (pie)	0.5	0.65	0.8	1
	Distance(Miter)	28	50	70	115



**Memo**

[www.safemag.ru](http://www.safemag.ru)

**COMMAX**

**COMMAX Co.,Ltd.**

513-11, Sangdaewon-dong, Jungwon-gu, Seongnam-si, Gyeonggi-do, Korea  
Int'l Business Dept. : Tel.; +82-31-7393-540~550 Fax.; +82-31-745-2133  
Web site : [www.commax.com](http://www.commax.com)

*Printed In Korea / 2013.11.105*

[www.safemag.ru](http://www.safemag.ru)